



User Manual

CONTENTS

1. Introduction
2. Unpacking
3. Connectors/Cabling
4. Polarity Checking
5. Amplification & Power Handling
6. Crossovers
7. Equalisation
8. Arraying
9. Dimensions
10. Performance Data
11. Technical Specifications
12. Rigging & Suspension
 - 12.1 General Safety Advice
 - 12.2 Secur – ET V8Y Yoke bracket
 - 12.3 Secur – ET VCB2 & VCB4
 - 12.4 Secur – ET VEB Eyebolts
 - 12.5 Secur – ET VTH Pole mount
 - 12.6 Secur – ET VCS Ceiling Saddle
 - 12.7 Secur – ET VPC Pole Clamp
 - 12.8 Secur – ET V8B Wall Mounting Bracket
13. System Configuration & OEM Controllers
14. V8 Recommended Service Parts & Accessories
15. Warranty
16. Declaration of Conformity

1. Introduction

Featuring a high power 200mm (8") Dual Concentric™ drive unit with Tannoy's unique point source technology, the Tannoy V8 provides a compact solution for high quality music and speech reproduction. Installation, in even the smallest of venues, is made simpler due to the 90 degree conical dispersion of the Dual Concentric™ which allows either vertical or horizontal mounting without affecting sound quality or compromising performance.

The V8 comprises one 200mm (8") Dual Concentric driver in which the low frequency (LF) and high frequency (HF) sources are coincidentally aligned to a point source, resulting in a smooth uniform frequency response over a wide area of coverage either as a portable stand alone system or in a multi-cabinet array. The sophisticated CAD designed waveguide combines 90 degree conical dispersion and excellent acoustic impedance characteristics. As the system is a point source, clusters and arrays have minimal lobing. These features are inherent and achieved without the use of any electronic signal processing.

The asymmetric cabinet profile allows flexible and discreet installation. As a foreground system, installation is made simple with a range of Secur-ET mounting hardware, designed specifically for the V series – or the system can be flown using the integral M10 inserts. For portable stage use the birch ply cabinet has a recessed carrying handle on the rear of the cabinet and a blanking plate, which can be removed to install an optional pole mount. As a versatile low profile stage monitor, the conical coverage pattern gives the performer greater freedom of movement than allowed by conventional horn loaded designs.

The V8 has been designed for use with the Tannoy TX1 controller, which will equalise the system resulting in improved bass performance as well as providing a 2-way crossover function, for use with separate sub-bass systems.

2. Unpacking

Every Tannoy V8 product is carefully tested and inspected before being packaged and leaving the factory. After unpacking your loudspeaker, please inspect for any exterior physical damage, and save the carton and any relevant packaging materials in case the loudspeaker again requires packing and shipping. In the event that damage has been sustained in transit notify your dealer immediately.

3. Connectors/Cabling

The V8 is fitted with 4-pole Neutrik Speakon™ connectors. Speakon has the following advantages over EP and XLR type connectors: All terminations are solderless; this makes life easier at the time of installation or when field servicing is required. Contacts will accept 6 sq. mm wire with an outside diameter of up to 15mm and a current rating of 30 Amps. The pins of the 2 Speakon sockets identified input/output on the rear of the input panel are paralleled within the enclosure. Tannoy have adopted the conventional wiring standard for the V8 product :-

Pin 1+ is Positive
Pin 1- is Negative

For a worldwide list of Neutrik distributors see <http://www.neutrik.com/>

Cable choice consists mainly of selecting the correct cross sectional area in relation to the cable length and the load impedance. A small cross sectional area would increase the cables series resistance, inducing power loss and response variations (damping factor).

Connectors should be wired with a minimum of 2.5 sq. mm (12 gauge) cable. This will be perfectly satisfactory under normal conditions. In the case of very long cable runs the wire size should exceed this, refer to the following table for guidance:-

| CABLE RUN (m) | C.S.A. OF EACH CONDUCTOR (mm) | CABLE RESISTANCE W | % POWER LOSS INTO 8W LOAD | % POWER LOSS INTO 4W LOAD |
|---------------|-------------------------------|--------------------|---------------------------|---------------------------|
| 10 | 2.5 | 0.14 | 1.7 | 3.5 |
| | 4.0 | 0.09 | 1.1 | 2.2 |
| | 6.0 | 0.06 | 0.73 | 1.5 |
| 25 | 2.5 | 0.35 | 4.3 | 8.6 |
| | 4.0 | 0.22 | 2.7 | 5.4 |
| | 6.0 | 0.14 | 1.8 | 3.6 |
| 50 | 2.5 | 0.69 | 8.6 | 17.0 |
| | 4.0 | 0.43 | 5.4 | 11.0 |
| | 6.0 | 0.29 | 3.6 | 7.2 |
| 100 | 2.5 | 1.38 | 17.0 | 35.0 |
| | 4.0 | 0.86 | 11.0 | 22.0 |
| | 6.0 | 0.58 | 7.2 | 14.0 |

4. Polarity Checking

It is most important to check the polarity of the wiring before the speaker system is flown. A simple method of doing this without a pulse based polarity checker for LF units is as follows: Connect two wires to the +ve and -ve terminals of a PP3 battery. Apply the wire which is connected to the +ve terminal of the battery to the speaker cable leg which you believe to be connected to pin 1+ of the speaker connector and likewise the -ve leg of the battery to pin 1-.

If you have wired it correctly the LF drive unit will move forward, indicating the wiring is correct. All that remains now is to connect the +ve speaker lead to the +ve terminal on the amplifier and the -ve lead to the -ve terminal on the amplifier. If however the LF driver moves backwards, the input connections need to be inverted.

If problems are encountered, inspect the cable wiring in the first instance. It should also be noted that different amplifier manufacturers utilise different pin configurations and polarity conventions, if you are using amplifiers from more than one manufacturer, check the polarity at the amplifiers as well as the loudspeakers.

5. Amplification & Power Handling

As with all professional loudspeaker systems, the power handling is a function of voice coil thermal capacity. Care should be taken to avoid running the amplifier into clip (clipping is the end result of overdriving any amplifier). Damage to the loudspeaker will be sustained if the amplifier is driven into clip for any extended period of time. Headroom of at least 3dB should be allowed. When evaluating an amplifier, it is important to take into account its behaviour under low impedance load conditions. A loudspeaker system is highly reactive and with transient signals it can require more current than the nominal impedance would indicate.

Generally a higher power amplifier running free of distortion will do less damage to the loudspeaker than a lower power amplifier continually clipping. It is also worth remembering that a high powered amplifier running at less than 90% of output power generally sounds a lot better than a lower power amplifier running at 100%. An amplifier with insufficient drive capability will not allow the full performance of the loudspeaker to be realised. (See technical specifications section for recommended amplifier power)

It is important when using different manufacturers amplifiers in a single installation that they have very closely matched gains, the variation should be less than +/- 0.5dB. This precaution is important to the overall system balance when only a single active crossover is being used with multiple cabinets; it is therefore recommended that the same amplifiers be used throughout.

6. Crossovers

The V8 is supplied as standard for passive operation via the internal crossover network. If higher peak outputs and additional low frequency output is required then the V8 can be used in conjunction with the Tannoy TX1 controller/crossover which provides high pass filtering and a degree of parametric equalisation, as well as a fixed crossover point for use with sub-bass loudspeakers (See the TX1 user manual for further information). The Tannoy TDX2 Digital controller will also perform the above functions with additional control and features including limiting and delay (See the relevant literature on the TDX2 for further information).

7. Equalisation

The V8 loudspeaker is designed to need no equalisation or correction to overcome system limitations. As a result, it will only need equalisation to compensate for difficult acoustic environments.

Over equalisation can reduce system headroom, and introduce phase distortion resulting in greater problems than cures. If equalisation is required then it should be applied gently and smoothly. The V8 loudspeaker is a point source, phase coherent design and violent equalisation will be detrimental to the overall sound quality.

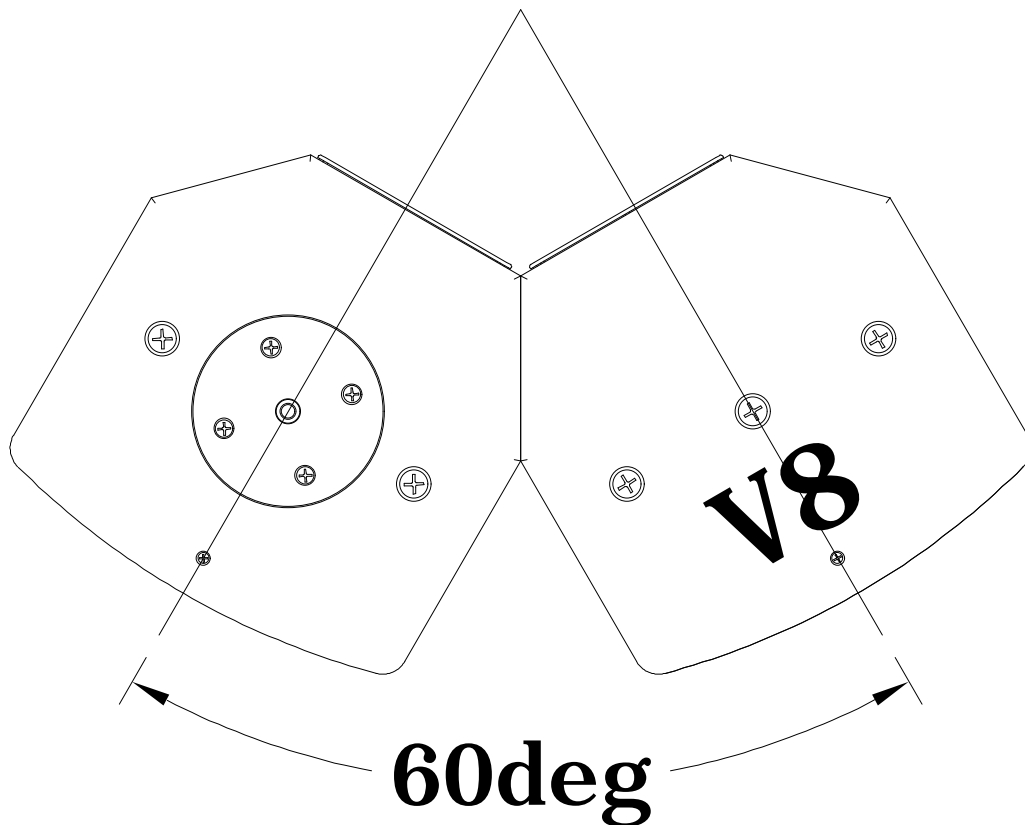
When a loudspeaker is used in close proximity to another, comb filtering effects can create coverage problems, comb filtering creates an uneven frequency response across the coverage area due to constructive and destructive interference effects between the sources. The amount of comb filtering is affected by the spacing of the relative sound sources. Minimising this effect cannot be cured by equalisation (see the following section for more details).

8. Arraying

As discussed in the previous section, comb filtering is a phenomenon, which cannot not be cured by equalisation. Small alterations to loudspeaker positions can have the effect of minimising problematic combing frequencies. Arrays should be constructed so that the individual coverage patterns of each loudspeaker combine with minimal overlap. The design of the V8 cabinet greatly simplifies the creation of effective arrays, allowing seamless wide (140 degree) horizontal coverage using two loudspeakers without the need for tedious experimentation.

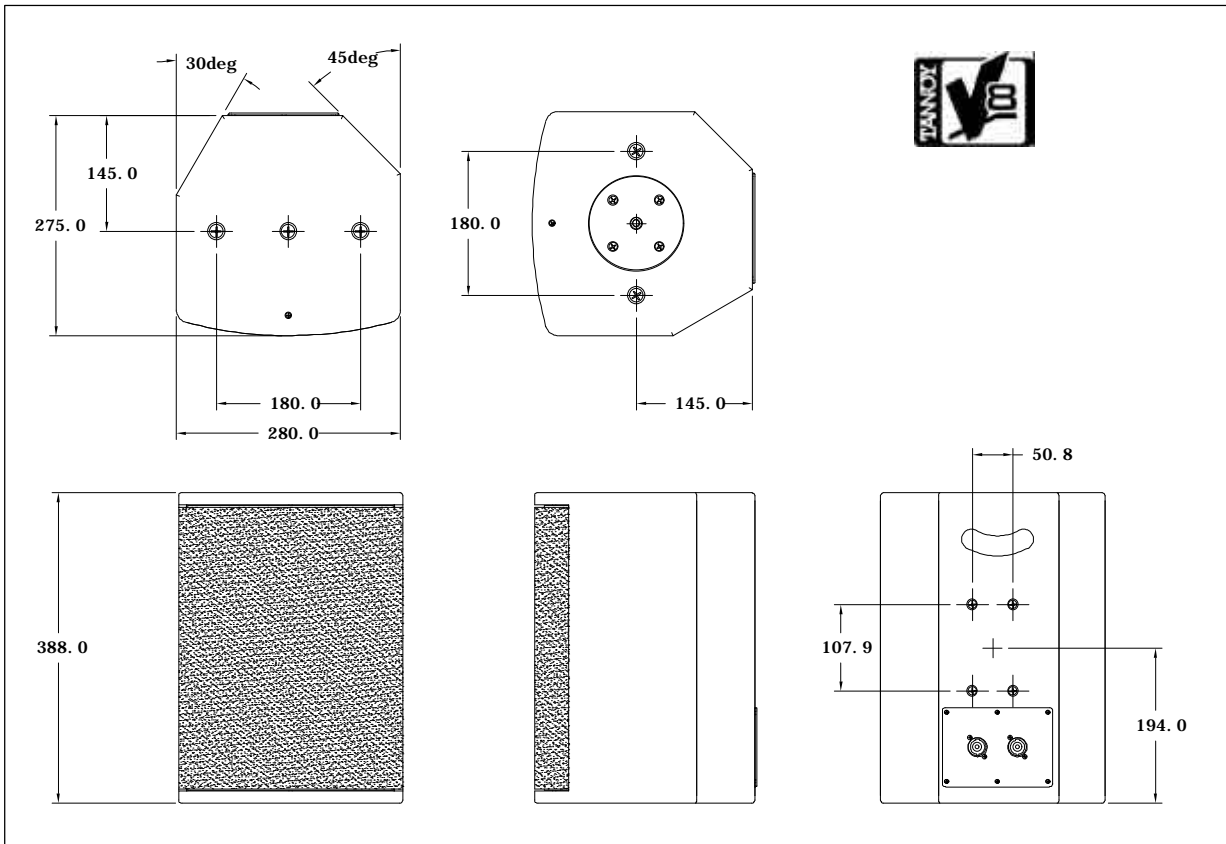
By placing the V8 cabinets with the 30 degree angled rear panels together, minimal dispersion pattern overlap is achieved, guaranteeing an extraordinarily smooth transition.

In many applications the 90-degree dispersion pattern may be sufficient in the horizontal plane. It is also possible to stack the cabinets vertically using the above method, say for use in a central cluster, where greater vertical dispersion is required.

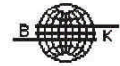
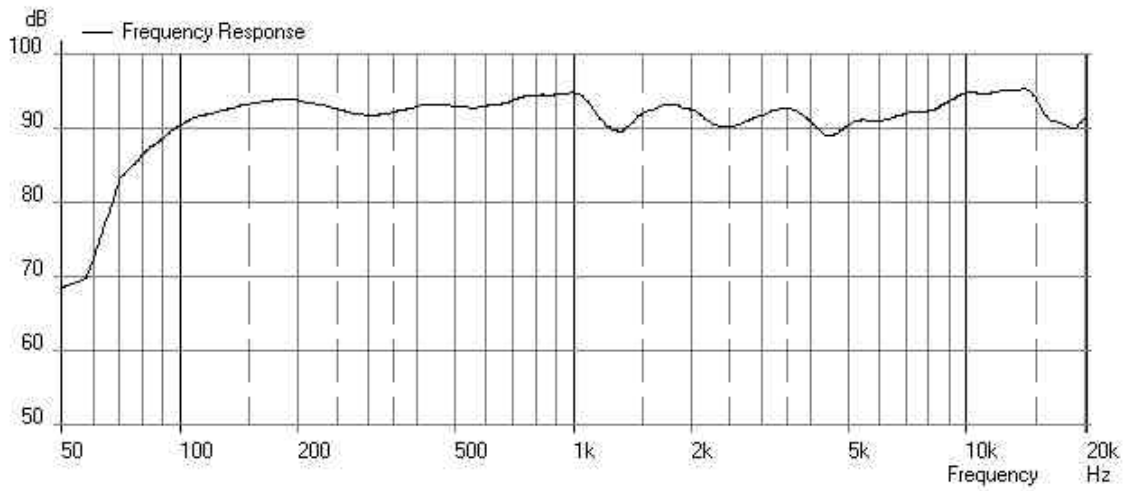


As shown in the above diagram, one of the V8 cabinets is inverted to allow the optimum splay angle to be achieved. The grill can be simply removed from this cabinet and be replaced in the correct orientation. The grill is held in position by the two fixing screws on the top and bottom lips of the cabinet.

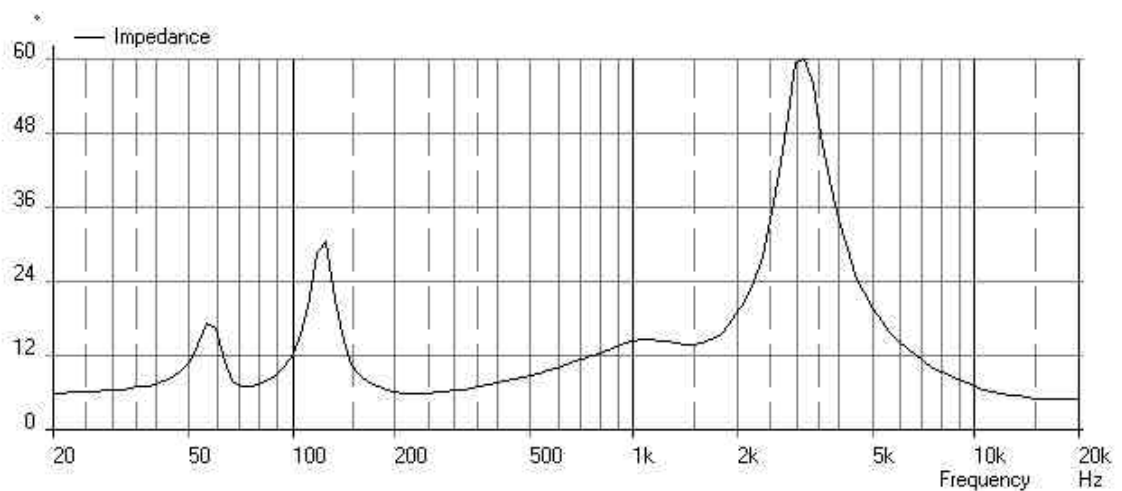
9. Dimensions



10. Performance Data



Unprocessed Anechoic Frequency Response, 1 watt @ 1 metre



Impedance



A comprehensive range of measurements including off axis frequency response curves, octave & third octave polar diagrams (single & two cabinet arrays) and beamwidth plots as well as Ease™ data can be downloaded from <http://www.tannoy.com/>

11. Technical Specifications

| | |
|---|--|
| Frequency response (1) +/- 3dB | 85Hz – 22kHz 65Hz – 22kHz (with Tx1/TDX2 controller) |
| -10dB Point | 51Hz (48Hz with Tx1/TDX2) |
| Recommended Amplifier Power | 100 - 260 watt / 8 ohm |
| Power Handling | Average (2) Programme Peak (10ms) 130 watt 260 watt 520 watt |
| Sensitivity (1) 2.83 volt @ 1m | 92 dB (anechoic) 95 dB (half space) |
| Maximum SPL (3) @ 1m | Average Peak 113 dB 119 dB |
| Impedance | Nominal 8.0 ohm |
| DI Averaged (PCQ) | 9.11, 250 Hz - 16 kHz |
| @ 1kHz (ISO) | 7.8 |
| @ 2kHz (ISO) | 8.3 |
| @ 4kHz (ISO) | 9.5 |
| @ 8kHz (ISO) | 11.2 |
| @ 16kHz (ISO) | 13.4 |
| Q Averaged (PCQ) | 9.93, 250 Hz - 16 kHz |
| @ 1kHz (ISO) | 6 |
| @ 2kHz (ISO) | 6.8 |
| @ 4kHz (ISO) | 8.9 |
| @ 8kHz (ISO) | 13.2 |
| @ 16kHz (ISO) | 21.9 |
| Distortion | |
| 0.1 Full Power | 2nd Harmonic 3rd Harmonic |
| 250 Hz | 0.141% 0.126% |
| 1000 Hz | 0.251% 0.794% |
| 10000 Hz | 1.340% 0.251% |
| 0.01 Full Power | 2nd Harmonic 3rd Harmonic |
| 250 Hz | 0.100% 0.112% |
| 1000 Hz | 0.100% 0.56% |
| 10000 Hz | 0.56% 0.178% |
| Driver Complement | 1 x 8" (200mm) Constant Directivity Dual Concentric™ Type number 2062 |
| Crossover Point | Passive 1.7 kHz 4 th order high pass, 2 nd order low pass Dynamic HF protection |
| Enclosure | 17 litre vented, Birch plywood |
| Finish | Textured black paint (optional in white) |
| Protective Grille | Foam covered powder coated perforated steel. |
| Connectors | 2 x NL4MP, IN/OUT |
| Fittings | Recessed rear mounted carrying handle, Blanking plate allows installation of a 35mm pole-mounting socket, 2 x M10 inserts for yoke mount, 4 x M10 flying inserts, 4 x M10 bracket inserts. (to suit Tannoy or Omnimount 30.0 bracket) |
| Dimensions | 388mm(H) x 280mm(W) x 275mm(D) 15.28"(H) x 11.02"(W) x 10.83"(D) |
| Weight | 8.2 Kg (18 lbs) |

NOTES:

- (1) Average over stated bandwidth. Measured at 1m on axis.
- (2) Long term power handling capacity as defined in EIA standard RS - 426A.
- (3) Unweighted pink noise input, measured at 1m in an anechoic chamber.

All Tannoy V Series products can be used with the Tannoy TDX2 Digital Controller for optimum system performance and when being used with various sub bass systems. Please visit our website at www.tannoy.com for further details
Tannoy operates a policy of continuous research and development. The introduction of new materials or manufacturing methods will always equal or exceed the published specifications, which Tannoy reserves the right to alter without prior notice.
Please verify the latest specifications when dealing with critical applications.

12. Rigging & Suspension

12.1 General Safety Advice



The Tannoy Professional hardware covered in this guide has been designed to offer quick, simple, cost effective and secure solutions for mounting specific Tannoy Professional loudspeakers. This hardware has been designed and manufactured with a high safety load factor for its specific role. To ensure the safest possible use of the hardware covered in this guide, it must be assembled in strict accordance with the instructions specified. The information in these manuals relating to the assembly and the safe use of these accessories must be understood and followed. The installation of Tannoy Professional loudspeakers using the dedicated hardware should only ever be carried out by fully qualified installers, in accordance with all the required safety codes and standards that are applied at the place of installation.

WARNING: As the legal requirements for flying change from country to country, please consult you local safety standards office before installing any product. We also recommend that you thoroughly check any laws and bylaws prior to commencing work.

Tannoy Professional hardware has been designed for use with specific Tannoy Professional loudspeakers, and is not designed or intended for use with any other Tannoy Professional products, or any other devices. Using Tannoy Professional hardware for any purpose other than that indicated in this guide is considered to be improper use. Such use can be very dangerous as overloading, modifying, assembling in anyway other than that clearly stated in the manual, or damaging Tannoy Professional hardware will compromise safety.

The component parts of any Tannoy Professional hardware device must only be assembled using the accessory kits supplied and in strict compliance with the user manual. The use of other accessories or non-approved methods of assembly may result in an unsafe hardware system by reducing the load safety factor. Welding, or any other method of permanently fixing hardware components together or to the integral fixing points in the cabinet should never be used.

Whenever a Tannoy Professional loudspeaker is fixed to a surface using a Tannoy Professional hardware device, the installer must ensure that the surface is capable of safely and securely supporting the load. The hardware employed must be safely, securely, and in accordance with the manual, attached both to the loudspeaker and also to the surface in question, using only the fixing holes provided as standard and covered in the manual. Secure fixings to the building structure are vital. Seek help from architects, structural engineers or other specialists if in any doubt.

All loudspeakers flown in theatres, nightclubs, conference centre or other places of work and entertainment must, be provided with an independent, correctly rated and securely attached secondary safety – in addition to the principle hardware device. This secondary safety must prevent the loudspeaker from dropping more than 150mm (6”) should the principle hardware device fail.

12.2 SECUR ET – V8Y Yoke Bracket

The V8Y is a discreet yoke style bracket, available in both black and white, and is used to mount the Tannoy V8 in both portrait and landscape orientations. The Tannoy V8 loudspeaker is fixed to the bracket using the M10 bolts and washers supplied in the accessory pack

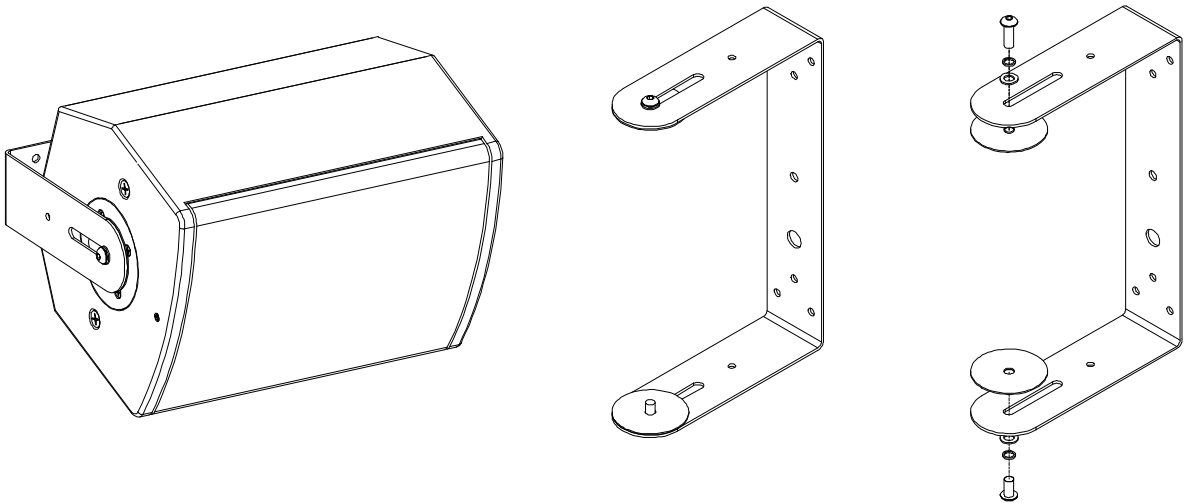


Only the screws, fasteners, shakeproof and plain washers specified on figure 3. should be used to assemble the VMY bracket.

The arms of the V8Y have long slots, through which M10 bolts are fitted, and screwed into the integral M10 inserts in the top and bottom of the Tannoy V8 cabinet.

These slots allow the installer to easily and precisely adjust the distance between the loudspeaker and the mounting surface for optimal discreet installation of the Tannoy V8.

Use the 20mm hole to pass the loudspeaker cable through before fixing the bracket to the wall.



Use the table of parts along with the assembly drawing to assemble the V8Y.

| Assembly View | Description | Quantity |
|---------------|----------------------------|----------|
| 1 | Yoke Bracket | 1 |
| 2 | Washer M10 Plain | 2 |
| 3 | Washer M10 Spring | 2 |
| 4 | M10 x 20 Button Head Screw | 1 |
| 5 | M10 x 30 Button Head Screw | 1 |
| 6 | Rubber Friction Washer | 2 |

12.3 SECUR ET- VCB2 & VCB4

VCB2 :-

The VCB2 cluster bar is available in both black and white finishes and provides a platform onto which 2 x Tannoy V8 loudspeakers can be mounted using the V8Y yoke bracket (not supplied in the VCB2 kit). A number of different loudspeaker arrangements can be made depending on the application and the coverage pattern required (see figures 1 & 2).

Using the VCS ceiling saddle the resulting cluster can be attached to the ceiling, or by using the VPC pole clamp the cluster can be attached to trussing and a wide variety of structures within the installation venue.

VCB4 :-

The VCB4 cluster bar (available in both black and white) provides the platform onto which 3—4 x Tannoy V8 loudspeakers can be mounted using the V8Y yoke bracket (not supplied in the VCB4 kit). A number of different loudspeaker arrangements can be made depending on the application and the coverage pattern required (see figures 3—6).

N.B. When using the VCB4 cluster bar system, one of the cluster bars is mounted above the other to produce a cross formation. To ensure an equal mounting height, the 2 x Tannoy V8 loudspeakers being flown from the lower cluster bar should be attached to the upper surface of this bar. While the 2 x Tannoy V8 loudspeakers being flown from the upper bar should be attached to the underside of this cluster bar.

Using the VCS ceiling saddle the resulting cluster can be attached to the ceiling. Or by using the VPC pole clamp the cluster can be attached to trussing and a wide variety of structures within the installation venue.

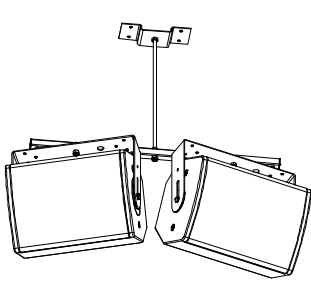


Fig 1.

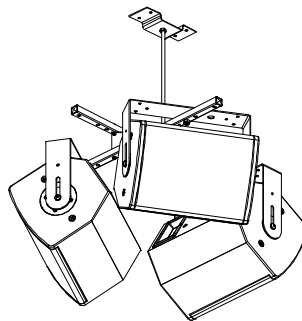


Fig 3.

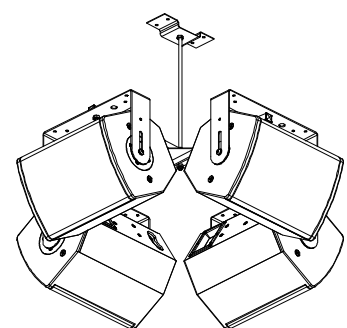


Fig 5.

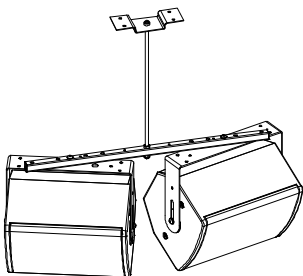


Fig 2.

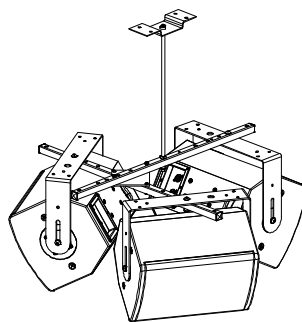


Fig 4.

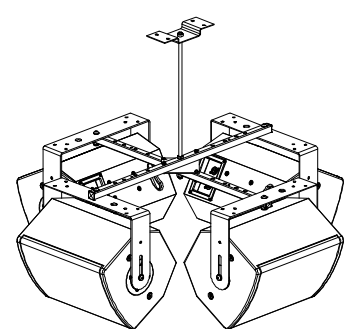
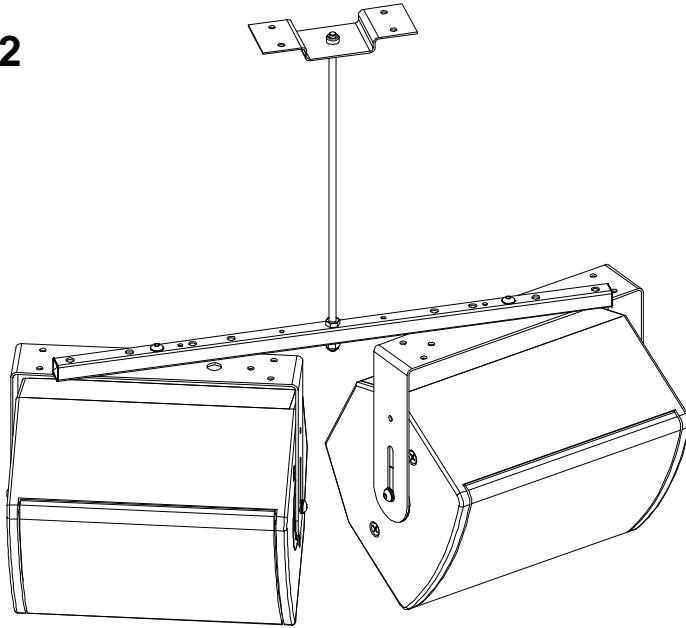


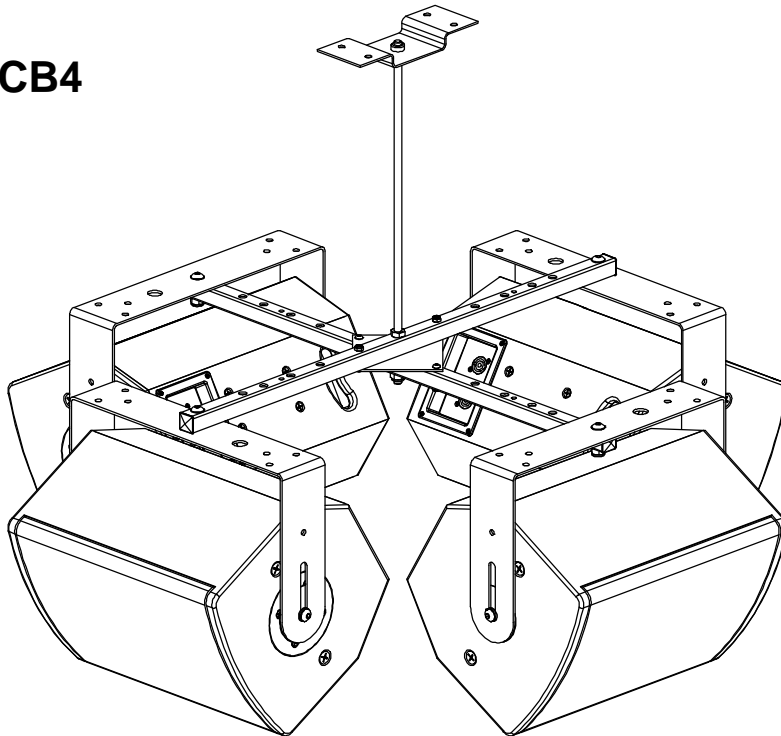
Fig 6.

VCB2



| Contents of VCB2 | Description | Quantity |
|------------------|--------------------------|----------|
| 1 | Cluster Bar | 1 |
| 2 | Washer M10 Plain | 2 |
| 3 | Screw M10x40 Button Head | 2 |
| 4 | M10 Nyloc Nut | 2 |
| 5 | Blanking Plug | 2 |

VCB4



| Contents of VCB4 | Description | Quantity |
|------------------|--------------------------|----------|
| 1 | Cluster Bar | 2 |
| 2 | Washer M6 | 4 |
| 3 | Washer M10 Plain | 4 |
| 4 | Screw M10x40 Button Head | 4 |
| 5 | Screw M6 x35 Button Head | 4 |
| 6 | M6 Nyloc Nut | 4 |
| 7 | M10 Nyloc Nut | 4 |
| 8 | Joining Plate | 1 |
| 9 | Blanking Plug | 4 |

12.4 SECUR ET – VEB Eyebolt

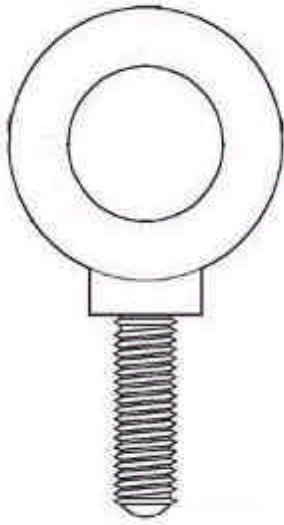


FIG 1.

The Tannoy V8 loudspeaker can be flown with high quality VEB M10 eyebolts with collar to BS4278:1984.

To install the VEB M10 eyebolts remove the original M10 counter sunk screws from the locations you wish to install the VEB M10 eyebolts. Then replace these counter sunk M10 screws with the VEB M10 eyebolts. The M10 insert on the rear of the cabinet also accepts a VEB M10 eyebolt and should **only** be used for tilting the loudspeaker to the desired angle.

Important: It is imperative for safety reasons that two eyebolts linked to two independently fixed straps are used per cabinet. If flying one cabinet above another, the cabinet must be used in a landscape orientation. The correct method is shown in figure 2.

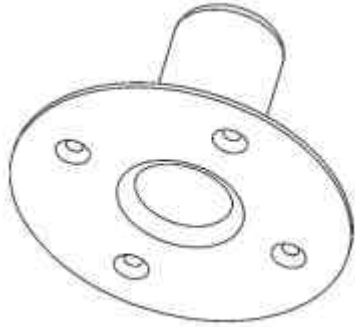


Never attempt to use formed eyebolts i.e. formed from a steel rod and bent into an eye.



FIG 2.

12.5 SECUR – ET VTH Pole Mount



The Tannoy V8 loudspeaker is fitted as standard with a metal blanking plate on the base of the cabinet. However, should you ever wish to mount the V18 onto a standard 35mm pole mount this blanking plate can be quickly and easily removed and replaced by a VTH pole mount. The same screws which secure the blanking plate should be used to secure the VTH in position.

12.6 SECUR – ET VCS Ceiling Saddle

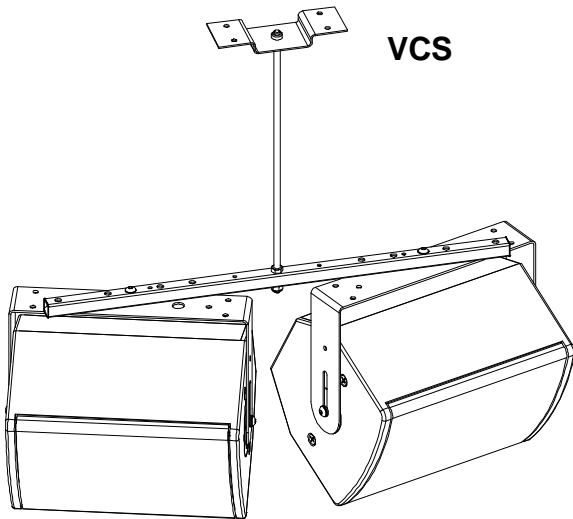
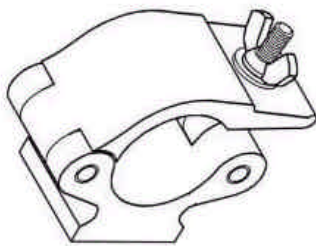


Fig 1.

The VCS ceiling saddle available in both black and white finishes, and is to be used in conjunction with the V8Y, VCB2, VCB4 and a length of M10 threaded rod (not supplied by Tannoy Limited). The VCS ceiling saddle allows the Tannoy V8 loudspeaker to be suspended at a user defined distance from the ceiling as shown in Figure 1.

Included with the VCS is an M10 nut. This should be used to secure and lock the threaded rod in place at the top of the ceiling saddle.

12.7 SECUR – ET VPC Pole Clamp



The VPC pole clamp can be used along with the V8Y, VCB2 & VCB4 to suspend a Tannoy V8 loudspeakers from an overhead bar, truss or suitable structure.

The following items are included with each VPC:-

| Description | Quantity |
|-----------------------|----------|
| VPC Pole Clamp | 1 |
| M10 Washer | 1 |
| M10 x 50mm Screw | 1 |
| M10 Nyloc Nut (Black) | 1 |

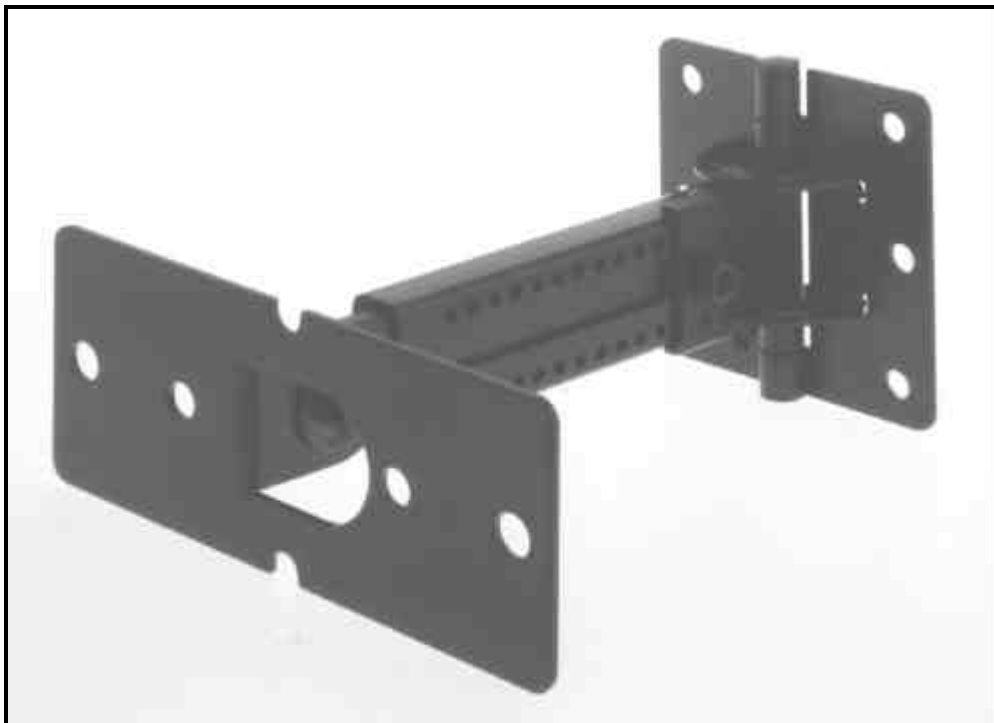
12.8 SECUR – ET V8B Wall Mounting Bracket

The V8 can be wall or ceiling mounted by using the **V8B** bracket which is designed to offer the maximum flexibility in selecting desired angles.

The V8B is supplied with M8 bolts for fixing to the loudspeaker, hinge clips which can be used to alter the angle of the wall fixing plate and an allen key to secure the arm length adjustment as well as the desired angle of 'tilt' of the loudspeaker .

The hinged wall mount plate enables the V8B to be fixed to flat walls and ceilings or to fit onto internal or external corners.

When the desired angle of tilt has been decided for the loudspeaker, the allen bolt holding the loudspeaker mounting plate onto the arm of the V8B can be tightened, the sprockets will hold the assembly firm ensuring it will not slip. The arm length can also be adjusted if desired. It is imperative that the bracket is fixed soundly to the wall. Be sure to use the correct fixings (e.g. Rawbolt, Rawplug) according to the wall type.



**The Tannoy V8 loudspeaker is also compatible with Omnimount™
50 Series Hardware**

13 System Configurations & OEM Controllers

With the vast array of digital loudspeaker management systems available it is inevitable that the user may opt to use a controller other than the TX1 & TDX2 as part of a large scale integrated system. The V8 has been designed to need no external equalisation to overcome system limitations. If the V8 is to be used alone with additional bass enhancement required and have the frequency response limits tighter than +/- 3dB as stated in section 11, then apply the parameters in the table below for optimised performance:-

| Parameter | Unit/Name | |
|----------------------------|----------------|----------------|
| Gain | (dB) | User definable |
| Delay | (ms) | User definable |
| Polarity | | Positive |
| HPF * | Freq (Hz) | 49.6 |
| | Slope (dB/oct) | 24 |
| | Filter Shape | Butterworth |
| LPF | Freq (Hz) | Thru |
| | Slope (dB/oct) | NA |
| | Filter Shape | NA |
| PEQ 1 * | Freq (Hz) | 72.9 |
| | Level (dB) | +5.5 |
| | Type | Parametric |
| | Q / Bandwidth | 2 / 0.5 |
| PEQ 2 | Freq (Hz) | 143 |
| | Level (dB) | -2 |
| | Type | Parametric |
| | Q / Bandwidth | 2.8 / 0.3536 |
| PEQ 3 | Freq (Hz) | 981 |
| | Level (dB) | -2 |
| | Type | Parametric |
| | Q / Bandwidth | 4.8 / 0.2102 |
| PEQ 4 | Freq (Hz) | 5040 |
| | Level (dB) | +3 |
| | Type | Parametric |
| | Q / Bandwidth | 3.6 / 0.2806 |
| PEQ 5 (not used) | Freq (Hz) | |
| | Level (dB) | |
| | Type | |
| | Q / Bandwidth | |

***Note :** When using the V8 with subs, set HPF @ 100 – 130Hz (24dB/oct LR) and omit PEQ1.

14. V8 Service Parts & Accessories

| Part Number | Description |
|--------------------|---|
| 7900 0474 | Driver Kit - 2062 |
| 7900 0475 | Recone Kit - 2062 |
| 7900 0385 | HF Diaphragm Kit |
| 7300 0823 | Crossover - 1375 |
| 8001 2700 | V8Y – Secure ET- V8 Yoke Bracket (Black) |
| 8001 2710 | V8Y – Secure ET- V8 Yoke Bracket (White) |
| 8001 2740 | VCB2 – Secure ET – Cluster Bar (Black) |
| 8001 2750 | VCB2 – Secure ET – Cluster Bar (White) |
| 8001 2760 | VCB4 – Secure ET – Cluster Bar (Black) |
| 8001 2770 | VCB4 – Secure ET – Cluster Bar (Black) |
| 8001 2820 | VEB – Secur ET – Eyebolts M10 |
| 8001 2830 | VCS – Secur ET – Ceiling Saddle (Black) |
| 8001 2840 | VCS – Secur ET – Ceiling Saddle (White) |
| 8001 2850 | VPC – Secur ET – Pole Clamp |
| 8001 2860 | VTH – Secur ET – Top Hat (Black) |
| 8001 2870 | VTH – Secur ET – Top Hat (White) |
| 8000 0740 | Tannoy TX1 Active system controller/2-way crossover |
| 8001 1930 | Tannoy TDX2 Digital System Controller 90 – 250V UK |
| 8001 1940 | Tannoy TDX2 Digital System Controller 90 – 250V EUR |
| 8001 1950 | Tannoy TDX2 Digital System Controller 90 – 250V USA |

15. Warranty

No maintenance of the V8 loudspeakers is necessary.

All Tannoy professional loudspeaker products are covered by a 5 year warranty from the date of manufacture subject to the absence of misuse, overload or accidental damage. Claims will not be considered if the serial number has been altered or removed. Work under warranty should only be carried out by a Tannoy Professional dealer or service agent. This warranty in no way affects your statutory rights. For further information please contact your dealer or distributor in your country. If you cannot locate your distributor please contact Customer Services, Tannoy Ltd at the address given below.

Customer Services
Tannoy Ltd.
Rosehall Industrial Estate
Coatbridge
Strathclyde
ML5 4TF
Scotland

Telephone: 01236 420199 (National)
+44 1236 420199 (International)
Fax: 01236 428230 (National)
+44 1236 428230 (International)
E-Mail: prosales@tannoy.com

DO NOT SHIP ANY PRODUCT TO TANNOY WITHOUT PREVIOUS AUTHORISATION

Our policy commits us to incorporating improvements to our products through continuous research and development. Please confirm current specifications for critical applications with your supplier.

16. Declaration of Conformity

TANNOY[®]
professional



The following apparatus is/are manufactured in the United Kingdom by Tannoy Ltd of Rosehall Industrial estate, Coatbridge, Scotland, ML5 4TF and conform(s) to the protection requirements of the European Electromagnetic Compatibility Standards and Directives relevant to Domestic Electrical Equipment. The apparatus is designed and constructed such that electromagnetic disturbances generated do not exceed levels allowing radio and telecommunications equipment and other apparatus to operate as intended, and, the apparatus has an adequate level of intrinsic immunity to electromagnetic disturbance to enable operation as specified and intended.

Details of the Apparatus:

Tannoy Contractor Loudspeaker

Associated Technical File:

Model Number: V8

Applicable Standards:

EMCV8

EN 50081-1 Emission

Electrical Safety:

EN 50082-1 Immunity

EN 60065

Signed:

A handwritten signature in black ink, appearing to read 'G. Hawley', with a long horizontal stroke extending to the right.

Position:

Engineering Director – Professional Products
Tannoy Professional

Date:

10/06/2002

For Tannoy Ltd

**Tannoy Loudspeakers are manufactured
in Great Britain by :**

**Tannoy Ltd, Rosehall Industrial Estate, Coatbridge,
Strathclyde, ML5 4TF, SCOTLAND
Telephone: +44 (0)1236 420199 Fax: +44 (0)1236 428230**

Tannoy North America Inc, Suite 1. 335 Gage Avenue, Kitchener, Ontario, CANADA, N2M 5E1
Telephone: (519) 745 1158 Fax: (519) 745 2364

Tannoy Nederland BV, Anthonetta Kuijistraat 19, 3066 GS, Rotterdam THE NETHERLANDS
Telephone: (010) 2860554 Fax: (010) 2860431

Issue 1.0 Part No. 6481 0377