

TANNOY®

INSTALLATION SERIES

INSTALLATION SERIES

INSTALLATION SERIES



i9

The Tannoy i9 slim cabinet column loudspeaker is designed for acoustically difficult applications where wide yet controlled coverage is required for high quality music and speech reinforcement.

The i9, available in black or white, consists of four 130mm (5") low frequency direct radiating drive units and three 25mm (1") titanium tweeters positioned as a line source. The coupling effects in the vertical plane result in a narrow (60°) controlled coverage pattern from 500Hz, with extremely wide horizontal coverage (120°). The complex frequency shading and integration techniques employed in the internal passive crossover network result in a smooth and uniform frequency response from 80Hz to 30kHz.

The controlled dispersion characteristics of the i9 direct sound into the desired space while minimising reflections from the ceiling, making it ideal for use in highly reverberant environments.

The i9 can operate as a low impedance (8Ω), or 100 Volt / 70.7 Volt distributed line system with the single rotary switch located on the rear termination panel. The Tannoy THP 60 Watt transformer, included in the i9, can be selected for 60, 30, 15, 7.5 Watts, providing high system sensitivity with low insertion loss.

The shallow cabinet profile and 5° downward tilt angle on the front baffle ensures discreet installations close to a wall or ceiling without sacrificing vertical coverage.

The i9's versatile mounting brackets - the i9Y yoke and i9 MAB (multiple angle bracket) - permit easy vertical, horizontal, and tilt adjustments for mounting and flying applications.

FRONT DETAIL



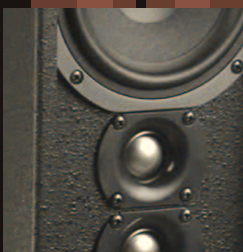
BRACKET DETAIL



CONNECTOR PLATE



DRIVER DETAIL



INSTALLATION SERIES

i9

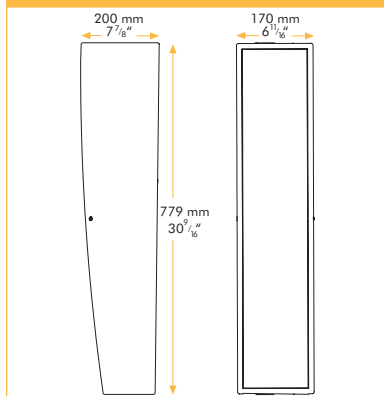
SYSTEM

System Type	Column Loudspeaker
Frequency Response +/- 3dB ⁽¹⁾	80Hz - 30kHz
Recommended Amplifier Power	Up to 300 Watt / 8Ω
Power Handling ⁽²⁾	Average 150 Watt Programme 300 Watt
Sensitivity 2.83 Volts @ 1 metre ⁽³⁾	Anechoic 93dB Half Space 96dB
Maximum SPL	Average 115dB Peak 121dB
Wattage Tap Selections	60, 30, 15, 7.5 Watts
Switchable Transformer Options	70 Volt / 100 Volt or 8Ω
Impedance	8Ω
Crossover Frequencies	Passive, 200Hz, 3.3kHz, 11.5kHz
Dispersion	See Beamwidth Plot 120° x 60° (H x V)
Driver Complement	4 x 130mm (5") bass unit 3 x 25mm (1") titanium tweeter

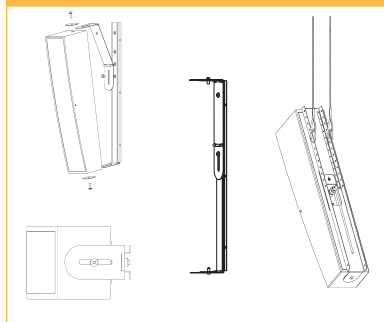
CONSTRUCTION

Enclosure	14.5 litre MDF infinite baffle, with perforated steel grille
Finish	Textured black or white paint - paintable
Connectors	2 x Neutrik™ Speakon (NL4MP)
Fittings	2 x M10 threaded inserts
Mounting Options	i9Y Yoke i9 MAB Multiple angle bracket
Dimensions	779 x 170 x 220mm (30 ⁹ / ₁₆ x 6 ¹¹ / ₁₆ x 7 ⁷ / ₈ "
Weight (each)	12.5kg (27lbs 9oz)
Shipping	Quantity 1 Weight 13.3kg (29lbs 6oz) Pack Dimensions 863 x 241 x 267mm (34 x 9 ¹ / ₂ x 10 ¹ / ₂ "

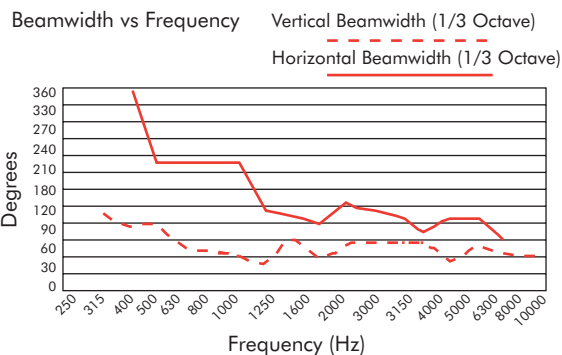
SIDE ELEVATION



MOUNTING BRACKETS



BEAMWIDTH PLOT



NOTES: (1) Average over stated bandwidth. Measured at 1 metre on axis. (2) Long term power handling capacity as defined in EIA standard RS - 426A. (3) Unweighted pink noise input, measured at 1 metre in an anechoic chamber

A full range of measurements, performance data, and Ease™ Data can be downloaded from www.tannoy.com

Tannoy operates a policy of continuous research and development. The introduction of new materials or manufacturing methods will always equal or exceed the published specifications, which Tannoy reserves the right to alter without prior notice. Please verify the latest specifications when dealing with critical applications.

APPLICATIONS

- Reverberant spaces
- Foreground public address systems
- Aerobics and sports facilities
- Houses of worship
- Theme bars
- Retail environments
- Boardrooms and offices
- Airports, convention centres and hotels

FEATURES

- Slim line profile, allowing discreet installation
- Switchable 70 Volt / 100 Volt or 8Ω
- Multi tap voltage and wattage
- THP 60 line transformer providing low insertion loss resulting in a more dynamic performance with extended bandwidth
- Wide controlled dispersion (120° x 60°)
- Mounting yoke (i9Y) and multiple angle bracket (i9 MAB)
- Five year loudspeaker warranty

ARCHITECTURAL SPECIFICATIONS

The column loudspeaker system shall consist of four 130mm (5") low frequency drivers and three 25mm (1") high frequency drivers. All seven sources (LF and HF) shall be positioned vertically as a line source.

The i9 shall be used in both low impedance 8Ω and 70 / 100 Volt distributed audio systems utilizing the THP 60 high performance transformer with 60, 30, 15, & 7.5* Watt taps available. An easily accessible rotary switch on the rear panel shall be available for selecting transformer and low impedance settings. Performance of the i9 shall meet or exceed the following criteria: The system shall have a nominal coverage pattern of 120° horizontal by 60° vertical. Frequency response measured at 1m on axis with swept sine wave shall be 80Hz to 30kHz (+/- 3dB). Sensitivity shall be at least 93dB (anechoic) for 2.83 Volt @ 1 meter. The system shall have a nominal impedance of 8Ω, maximum power handling shall be 300 Watts (programme).

The enclosure shall be rectangular in shape with a convex arc on the front baffle with a 5° downward tilt. The MDF enclosure shall be of an infinite baffle design, finished in textured black or white paint, the front of the cabinet shall be covered by a perforated steel grille. The enclosure shall not exceed the following dimensions. 779 x 170 x 200mm (H x W x D) to 132mm at the shallowest point or 30⁹/₁₆ x 6¹¹/₁₆ x 7⁷/₈" to 5³/₁₆" at the shallowest point.

The loudspeaker system shall be the Tannoy...i9.

*On 70 Volt systems only

TANNOY®

Tannoy United Kingdom | T: +44 (0) 1236 420199 | F: +44 (0) 1236 428230 | E: enquiries@tannoy.com
 Tannoy North America | T: (519) 745 1158 | F: (519) 745 2364 | E: inquiries@tannoyna.com

tannoy.com