



Product Description

V8 is a high quality installation loudspeaker that provides a compact, yet punchy, solution for high performance music and speech reproduction in small to medium sized venues. This versatile design also has, due to acoustic matching to other V Series models, a wide range of other applications in more space-restricted areas within larger installations.

The high power handling 200mm (8.00") version of Tannoy's exclusive point source, constant directivity Dual Concentric™ drive unit technology, with it's reinforced paper cone LF, twin roll cambric surround and 25mm (1.00") titanium domed, neodymium magnet system HF, ensures high power output with high sensitivity. With the HF mounted in the throat of the LF driver these two sources are coincidentally aligned into a single point source. This is a configuration, exclusive to the Dual, delivers a smooth and uniform frequency response over a wide area. The CAD designed Tulip WaveGuide™ for the HF unit combines 90 degree conical dispersion, for optimum coverage, exceptional forward gain and excellent acoustic impedance characteristics. The dispersion characteristics of the Dual enhance speaker placement flexibility; allowing vertical or horizontal mounting of single or multi-cabinet arrays without any compromise to sound quality.

This conical coverage pattern makes the V8 an ideal low profile stage monitor; the exceptionally wide dispersion allowing the performer greater freedom of movement than allowed by conventional horn loaded designs. An inherent feature of this point source Dual Concentric™ driver design is that clusters and arrays have minimal lobing, and this is achieved without the use of any electronic signal processing.

The convenient aspect ratio of the asymmetric design of the multi layer birch ply cabinet allows installation in a wide range of configurations. Available in black or white, the V8 has a range of colour matched Secure-ET™ hardware options to allow yoke, wall mount, ceiling saddle or cluster bar arrangements of 2, 3 or 4 units. Although designed to perform without any external controller, the addition of one of the Tannoy digital system controllers will further enhance performance by equalising the system to improve bass performance; this as well as providing a 2-way crossover function to facilitate use with a separate subwoofer system.

Features

- 200mm (8.00") point source Dual Concentric™ driver
- 90 degree controlled conical dispersion for optimum coverage and forward gain
- Compact, versatile enclosure
- High power handling
- High efficiency and low distortion
- Rugged birch plywood construction
- Convenient aspect ratio
- Integral carrying handle
- Integral flying points
- Secure-ET™ mounting options
- Five year loudspeaker warranty

Applications

- Live sound reinforcement
- High quality public address
- Theme pubs and nightclubs
- Theatre front of house and effects
- Movie theatre and cinema
- Side fill in large-scale music reinforcement
- Theme parks and leisure venues
- Sports and multi-use stadiums
- Audio visual
- Houses of worship

Tannoy United Kingdom
 Tannoy North America
 Tannoy Deutschland
 Tannoy France

T: 00 44 (0) 1236 420199
 T: 00 1 (519) 745 1158
 T: 00 49 (180) 1111 881
 T: 00 33 (0)1 7036 7473

E: enquiries@tannoy.com
 E: inquiries@tannoyna.com
 E: anfragen@tannoy.com
 E: ventes@tannoy.com

tannoy.com



V8

TANNOY®

TECHNICAL SPECIFICATIONS

System	V8	
Frequency Response (-3dB) ⁽¹⁾	85Hz - 22kHz	
Frequency Range (-10dB) ⁽¹⁾	62Hz - 30kHz	
System Sensitivity (1W @1m) ⁽²⁾	92dB (1W = 2.83V for 8 Ohms)	
Dispersion (-6dB)	90 degrees conical	
Driver Complement	Point source Dual Concentric™	
Low frequency section	200mm (8.00")	
High frequency section	25mm (1.00")	
Crossover	Passive 1.7kHz with dynamic HF protection	
Directivity Factor (Q)	6.8 averaged 1kHz to 10kHz	
Directivity Index (DI)	7.9 averaged 1kHz to 10kHz	
Rated Maximum SPL ⁽²⁾		
Average	113dB	
Peak	119dB	
Power Handling		
Average	130W	
Programme	260W	
Peak	520W	
Recommended Amplifier Power	260W @ 8 Ohms	
Nominal Impedance	8 Ohms	
Distortion		
10% Full Power (10.2V)	2nd Harmonic	3rd Harmonic
250Hz	0.12%	0.15%
1kHz	0.23%	0.84%
10kHz	1.35%	0.16%
1% Full Power ((3.2V)	2nd Harmonic	3rd Harmonic
250Hz	0.16%	0.14%
1kHz	0.09%	0.53%
10kHz	0.53%	0.17%

Construction	
Enclosure	17 litre vented, internally braced 15mm (0.62") birch plywood cabinet with 15mm (0.62") MDF front baffle.
Certification	DIN 18 032 part 3 (April 1997)
Finish	Textured black or white paint, with custom colours available on request. Foam covered, powder coated perforated steel grille
Connectors	2 x Speakon NL4MP
Fittings	4 x M10 Flying inserts, 2 x M10 yoke bracket inserts 1 x recessed carrying handle Blanking plate for optional VTH pole mount
Optional Accessories	Black or white power coated perforated steel grille
Dimensions	388 x 280 x 275mm (H x W x D) 15.28 x 11.02 x 10.83" (H x W x D)
NET Weight	8.2kg (18.0lbs)

Notes:

- (1) Average over stated bandwidth. Measured at 1 metre on axis.
- (2) Unweighted pink noise input, measured at 1 metre in an anechoic chamber

A full range of measurements, performance data, CLF and Ease™ Data can be downloaded from www.tannoy.com

Full independent verification of published specifications carried out by NWA Labs, California can also be obtained from the downloads section of www.tannoy.com

Tannoy operates a policy of continuous research and development. The introduction of new materials or manufacturing methods will always equal or exceed the published specifications, which Tannoy reserves the right to alter without prior notice. Please verify the latest specifications when dealing with critical applications.

Ordering Information

PART NUMBER	MODEL NAME	COLOUR	PACKED QUANTITY
8001 2610	V8	Black	1
8001 2650	V8	White	1

Tannoy United Kingdom
Tannoy North America
Tannoy Deutschland
Tannoy France

T: 00 44 (0) 1236 420199
T: 00 1 (519) 745 1158
T: 00 49 (180) 1111 881
T: 00 33 (0)1 7036 7473

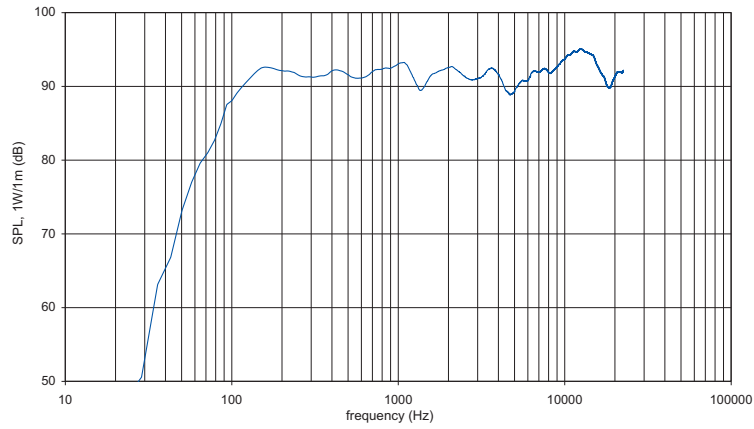
E: enquiries@tannoy.com
E: inquiries@tannoyna.com
E: anfragen@tannoy.com
E: ventes@tannoy.com

tannoy.com



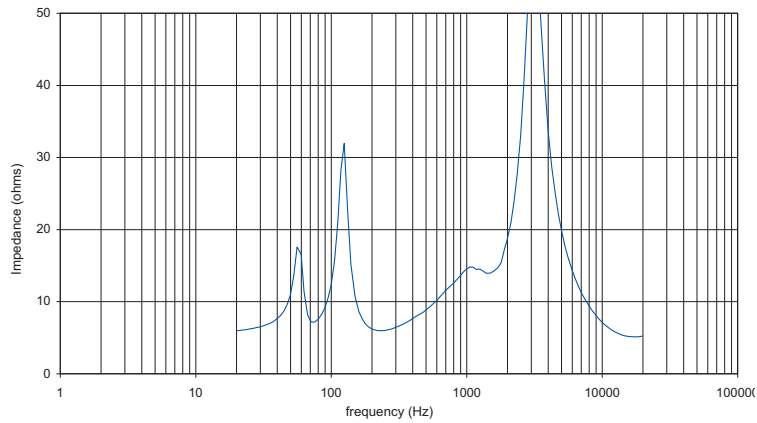
PERFORMANCE MEASUREMENTS

1m on-axis frequency response

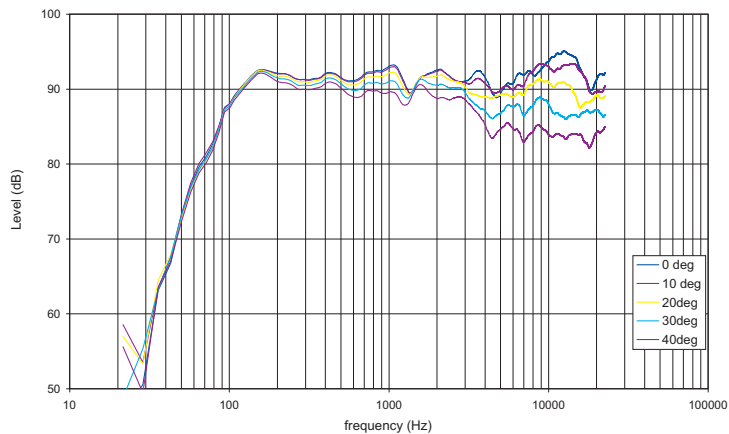


ANECHOIC
FREQUENCY
RESPONSE

Impedance vs frequency



IMPEDANCE



OFF AXIS
RESPONSE

Tannoy United Kingdom
 Tannoy North America
 Tannoy Deutschland
 Tannoy France

T: 00 44 (0) 1236 420199
 T: 00 1 (519) 745 1158
 T: 00 49 (180) 1111 881
 T: 00 33 (0)1 7036 7473

E: enquiries@tannoy.com
 E: inquiries@tannoyna.com
 E: anfragen@tannoy.com
 E: ventes@tannoy.com

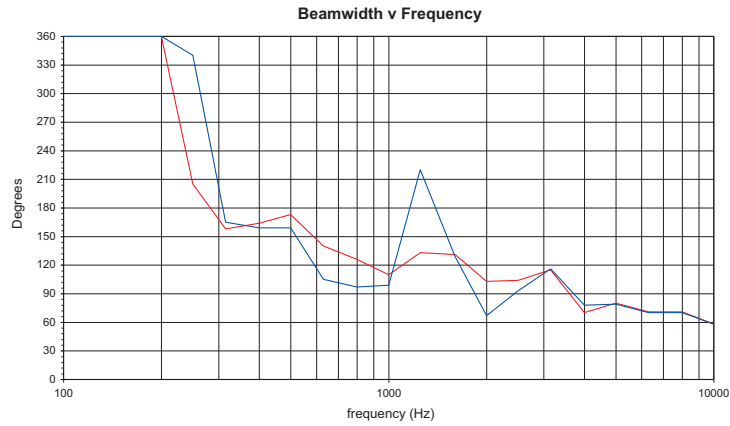
tannoy.com



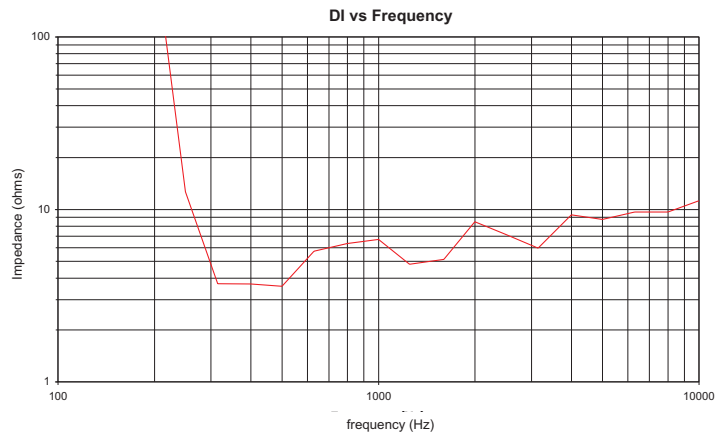
V8

TANNOY®

PERFORMANCE MEASUREMENTS



BEAMWIDTH



DIRECTIVITY INDEX

Tannoy United Kingdom
 Tannoy North America
 Tannoy Deutschland
 Tannoy France

T: 00 44 (0) 1236 420199
 T: 00 1 (519) 745 1158
 T: 00 49 (180) 1111 881
 T: 00 33 (0)1 7036 7473

E: enquiries@tannoy.com
 E: inquiries@tannoyna.com
 E: anfragen@tannoy.com
 E: ventes@tannoy.com

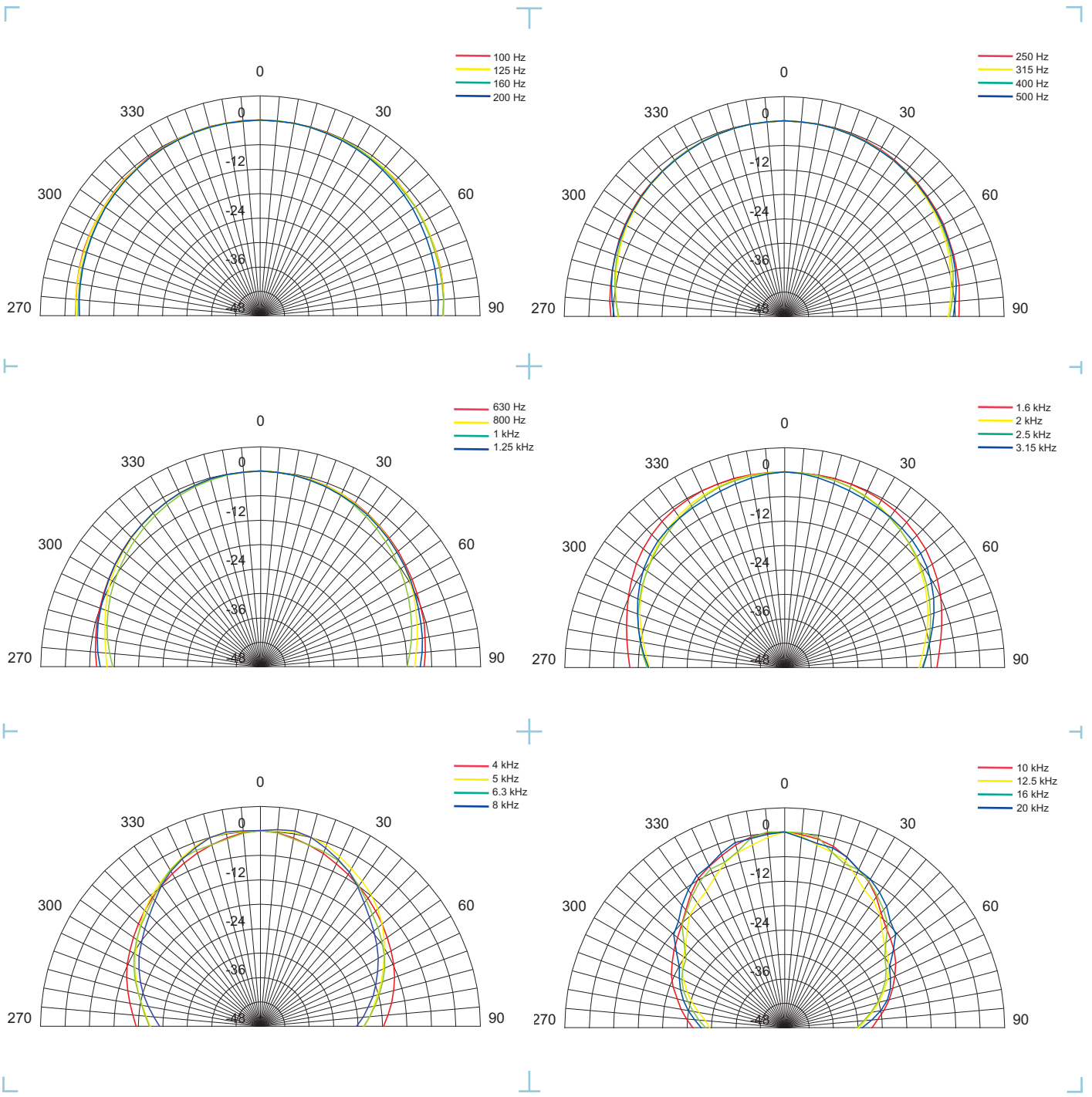
tannoy.com



V8

TANNOY®

PERFORMANCE MEASUREMENTS POLAR PLOTS (1/3 OCTAVE)



Tannoy United Kingdom
 Tannoy North America
 Tannoy Deutschland
 Tannoy France

T: 00 44 (0) 1236 420199
 T: 00 1 (519) 745 1158
 T: 00 49 (180) 1111 881
 T: 00 33 (0)1 7036 7473

E: enquiries@tannoy.com
 E: inquiries@tannoyna.com
 E: anfragen@tannoy.com
 E: ventes@tannoy.com

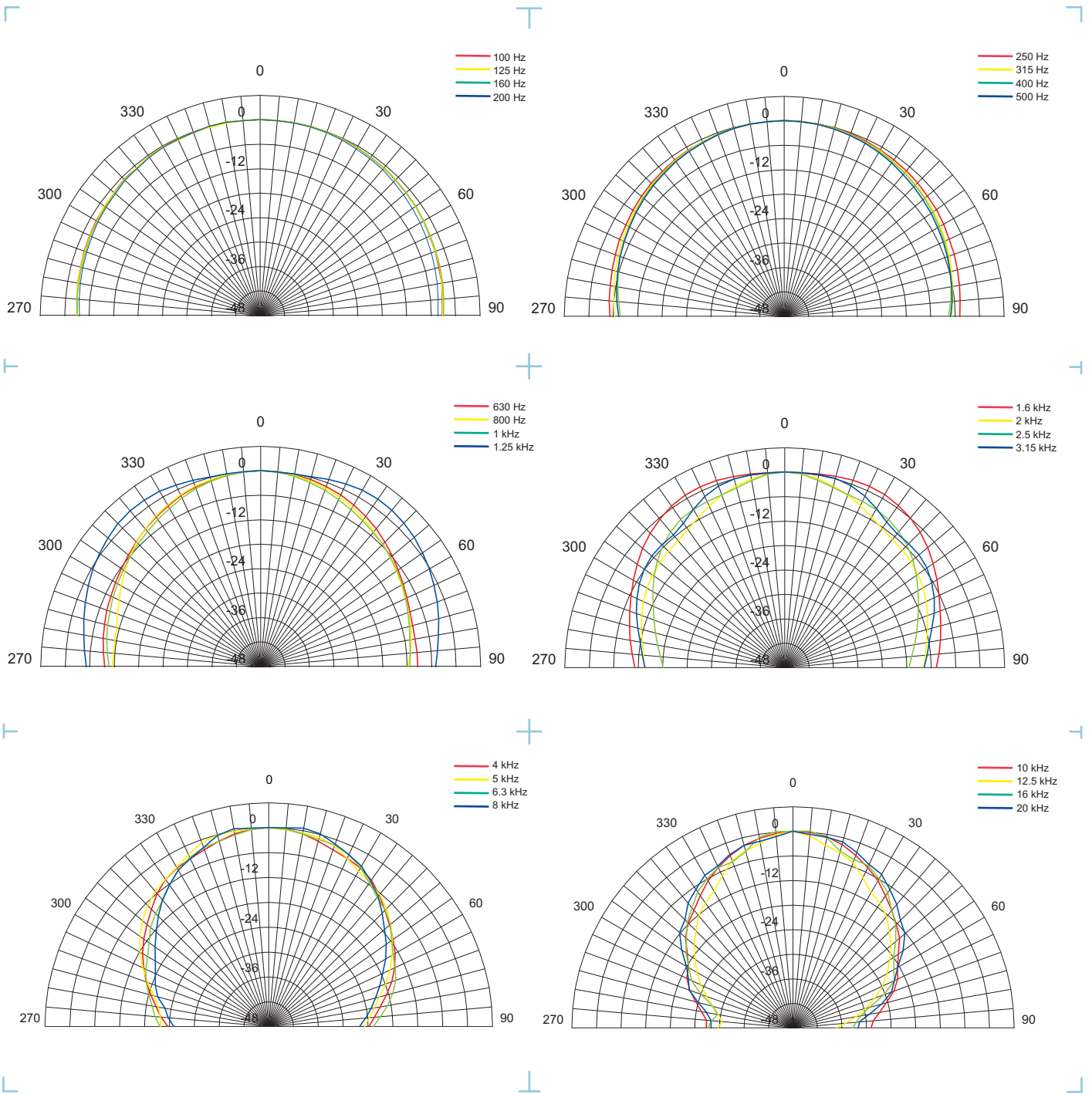
tannoy.com



V8

TANNOY®

PERFORMANCE MEASUREMENTS



Tannoy United Kingdom
 Tannoy North America
 Tannoy Deutschland
 Tannoy France

T: 00 44 (0) 1236 420199
 T: 00 1 (519) 745 1158
 T: 00 49 (180) 1111 881
 T: 00 33 (0)1 7036 7473

E: enquiries@tannoy.com
 E: inquiries@tannoyna.com
 E: anfragen@tannoy.com
 E: ventes@tannoy.com

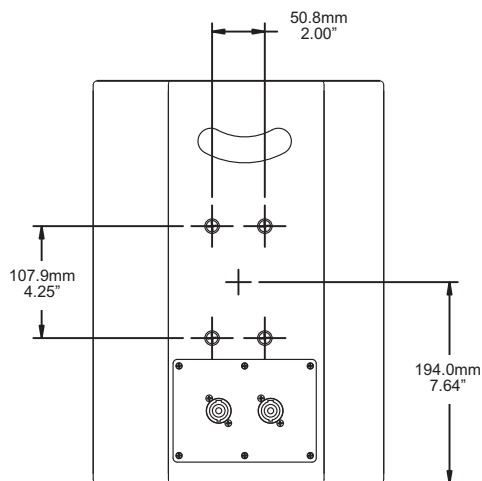
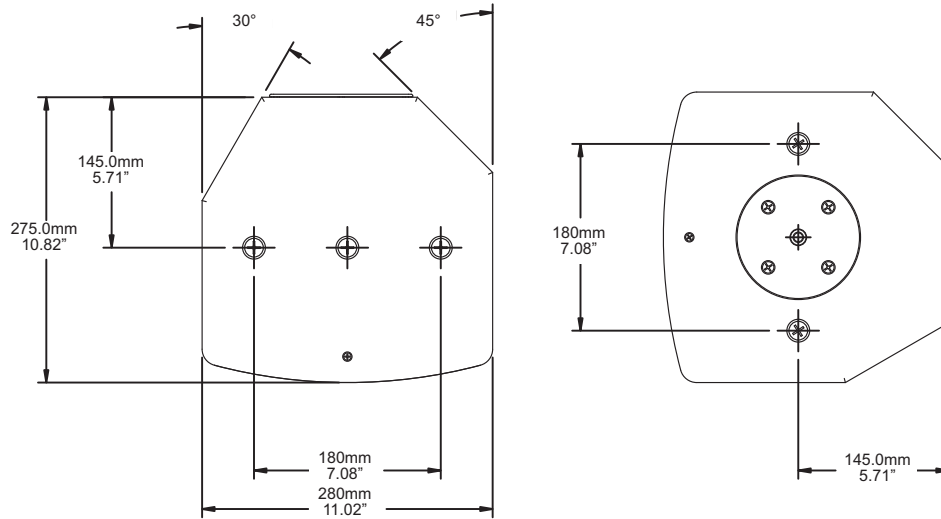
tannoy.com



V8

TANNOY®

DIMENSIONAL SKETCHES



Tannoy United Kingdom
 Tannoy North America
 Tannoy Deutschland
 Tannoy France

T: 00 44 (0) 1236 420199
 T: 00 1 (519) 745 1158
 T: 00 49 (180) 1111 881
 T: 00 33 (0)1 7036 7473

E: enquiries@tannoy.com
 E: inquiries@tannoyna.com
 E: anfragen@tannoy.com
 E: ventes@tannoy.com

tannoy.com

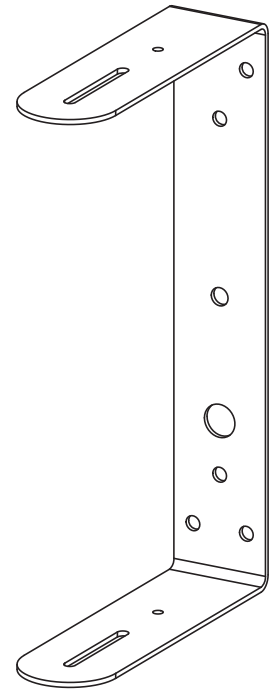
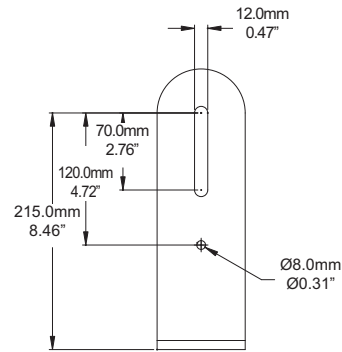
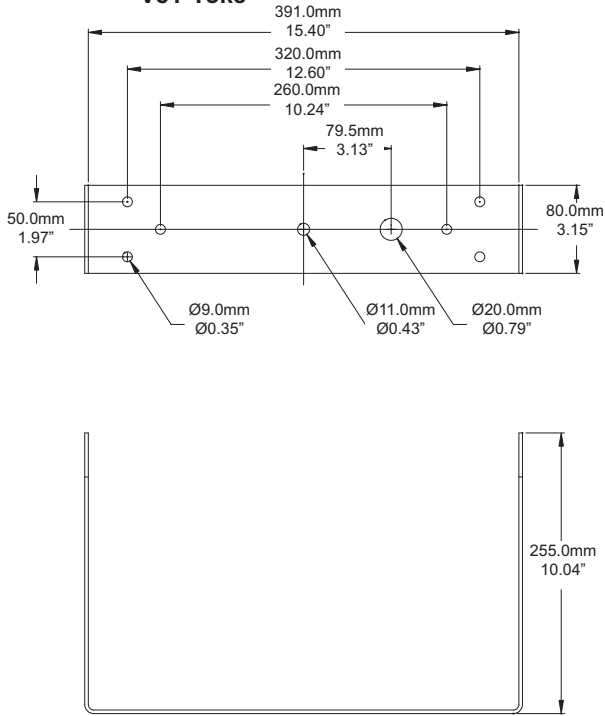


V8

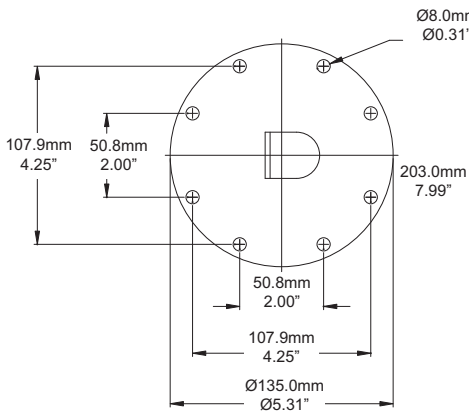
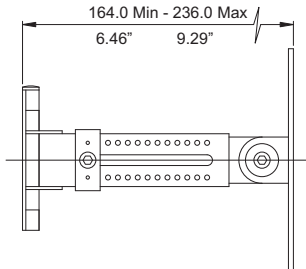
TANNOY®

MOUNTING OPTIONS DIMENSIONAL SKETCHES

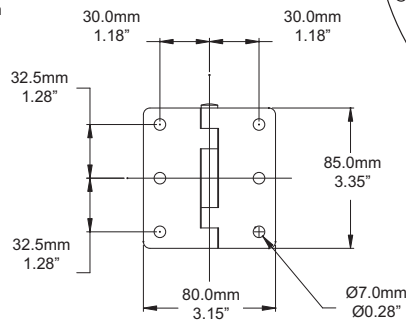
V8Y Yoke



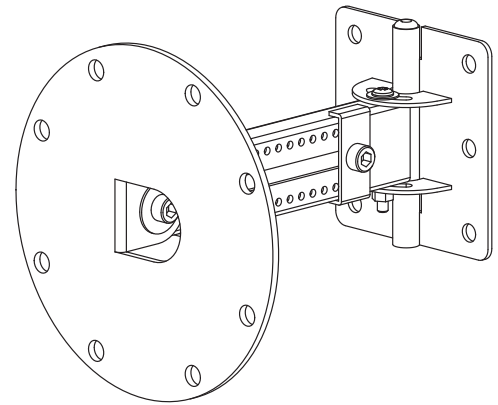
V8B Bracket



SPEAKER END OF MOUNTING BRACKET



WALL END OF MOUNTING BRACKET



Tannoy United Kingdom
 Tannoy North America
 Tannoy Deutschland
 Tannoy France

T: 00 44 (0) 1236 420199
 T: 00 1 (519) 745 1158
 T: 00 49 (180) 1111 881
 T: 00 33 (0)1 7036 7473

E: enquiries@tannoy.com
 E: inquiries@tannoyna.com
 E: anfragen@tannoy.com
 E: ventes@tannoy.com

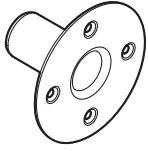
tannoy®.com



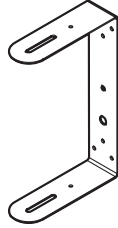
V8

TANNOY®

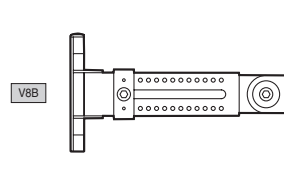
MOUNTING OPTIONS ORDERING INFORMATION



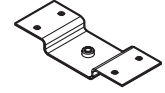
VTH



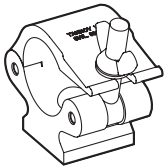
V8Y



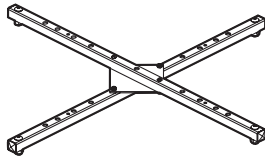
V8B



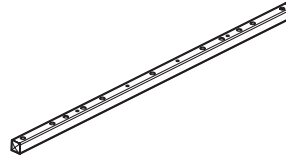
VCS



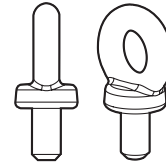
VPC



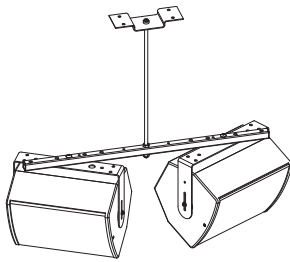
VCB 4



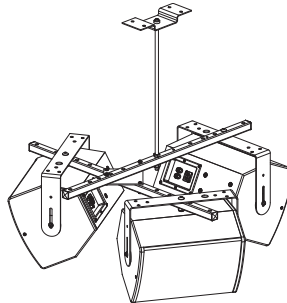
VCB 2



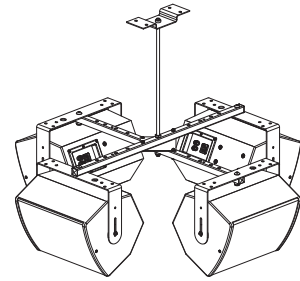
VEB



V6 Cluster x 2



V6 Cluster x 3



V6 Cluster x 4

Ordering Information

PART NUMBER	MODEL NAME	COLOUR	PACKED QUANTITY
8001 2700	V8Y	Black	1
8001 2710	V8Y	White	1
8001 2720	V8B	Black	1
8001 2730	V8B	White	1
8001 2740	VCB 2	Black	1
8001 2750	VCB 2	White	1
8001 2760	VCB 4	Black	1
8001 2770	VCB 4	White	1
8001 2820	VEB	-	1
8001 2830	VCS	Black	1
8001 2840	VCS	White	1
8001 2860	VTH	Black	1
8001 2870	VTH	White	1
8001 2850	VPC	-	1
8001 3270	Grille V8	Black	1
8001 3271	Grille V8	White	1

Tannoy United Kingdom
 Tannoy North America
 Tannoy Deutschland
 Tannoy France

T: 00 44 (0) 1236 420199
 T: 00 1 (519) 745 1158
 T: 00 49 (180) 1111 881
 T: 00 33 (0)1 7036 7473

E: enquiries@tannoy.com
 E: inquiries@tannoyna.com
 E: anfragen@tannoy.com
 E: ventes@tannoy.com

tannoy.com



V8

TANNOY®

Architectural specifications

The loudspeaker shall consist of a 200mm (8.00") full range, single point source Dual Concentric™ transducer. The low and the high frequency elements shall be combined by an internal passive crossover network operating at 1.7kHz, with 2nd order high pass, 2nd order low pass. A configurable switching arrangement on the input panel allows the user to select between full range passive or bi-amped two way powering modes.

Performance of the loudspeaker, without any electronic control shall meet or exceed the following criteria: frequency response measured at 1 metre on axis with swept sine wave shall be 85Hz - 22kHz (+/-3dB). Sensitivity shall be at least 92dB (anechoic) for 2.83 volts @ 1 metre and shall be capable of producing a peak output level of 119dB (anechoic) on axis at 1 metre.

The dispersion of the loudspeaker shall be 90 degrees conical (-6dB). The system shall have a nominal impedance of 8 Ohms, maximum power handling shall be 520 Watts (programme). The enclosure shall be an optimally tuned 37.5 litre vented enclosure of birch plywood construction. The enclosure shall be fitted with an integral carrying handle, blanked off recess for optional pole-mount socket installation, 2 x M10 bracket inserts for landscape or portrait mounting and 4 x M10 mounting points for flying hardware. The enclosure shall not exceed the following dimensions: 388 x 280 x 275mm or 15.28 x 11.02 x 10.83" (H x W x D)

The loudspeaker shall be the Tannoy...V8.

tannoy®.com

