

TANNOY®



CEILING MONITOR SYSTEMS
CEILING MONITOR SYSTEMS
CEILING MONITOR SYSTEMS
CEILING MONITOR SYSTEMS

CMS60 TDC

The Tannoy CMS60 TDC is a premium quality ceiling monitor system based around a 165mm (6.5") point source, constant directivity Dual Concentric™ transducer.

The drive unit of the CMS60 TDC is the same drive unit in Tannoy reference-quality studio monitors. It incorporates the latest generation design features including a dual magnet assembly, HF Tulip WaveGuide™ and an injection molded polypropylene LF cone. The high frequency (HF) and low frequency (LF) sources are coincidentally aligned to a point source. The result is a smooth, uniform frequency response over a wide area of coverage unachievable with discrete, two-way designs in the vertical plane where massive cancellations appear off axis at the crossover frequency.

The CMS60 TDC is designed for blind mount applications, offering simple and cost-effective installation in new and existing buildings, while providing quality music reproduction and superior voice intelligibility for critical applications.

The optimally tuned, rigid enclosure provides superior low frequency extension. The transformer and low impedance settings (60, 30, 15, 7.5 Watts) are selectable via a rotary switch located on the front baffle for quick and simple commissioning. The high quality, minimalist crossover network of the CMS60 TDC in conjunction with the THP 60 Watt transformer produces a high sensitivity, low loss system with wide dynamic range.

The CMS60 TDC is available as the CMS60 TDC-8 for use in 8Ω operation and as the CMS60 TDC-60, supplied with a THP 60 Watt transformer.



REAR DETAIL



TAP SWITCH



INSTALLED



DOG DETAIL



CEILING MONITOR SYSTEMS

CMS60 TDC

SYSTEM

System Type	Ceiling Monitor Loudspeaker	
Frequency Response +/- 3dB ⁽¹⁾	50Hz - 20kHz	
	-10dB	43Hz
Recommended Amplifier Power	20 - 160 Watt / 8Ω	
Power Handling ⁽²⁾	Average Programme Peak	80 Watt 160 Watt 320 Watt
Sensitivity 2.83 Volts @ 1 meter ⁽³⁾	93dB (half space)	
Maximum SPL	THP 60 Transformer Low Impedance	108dB (average) 109dB (average) 115dB (peak)
Impedance	Nominal	8Ω
Wattage Tap Selections	60, 30, 15, 7.5 Watts	
Dispersion	See Beamwidth Plot	90° Conical
Driver Complement	1 x 165mm (6.5") Dual Concentric™	
Crossover	2kHz - passive	

CONSTRUCTION

Enclosure	12 litres, vented	
Finish	White - paintable	
Connectors	Removable locking connector with screw input and output terminals	
Dimensions	Can Height	226mm (8 7/8")
	Baffle Diameter	334mm (13 1/8")
	Cutout size	305mm (12")
	Maximum Panel Thickness	38mm (1 1/2")
Weight (each)	CMS60 TDC	5.4kg (12lbs 2oz)
	CMS60 TDC-60	6.6kg (14lbs 10oz)
Shipping	Quantity	2
	CMS60 TDC	14kg (30lbs 14oz)
	CMS60 TDC-60	16.2kg (35lbs 12oz)
	Pack Dimensions	330 x 750 x 400mm (13 x 29 1/2 x 15 3/4")
Accessories (Optional)	TTB 60	Tile bridge with C ring
	MR 60	Plaster ("mud") ring
Safety Features	Rear safety tie back ring for attachment of a load bearing safety bond	

NOTES: (1) Average over stated bandwidth. Measured at 1 meter on axis. (2) Long term power handling capacity as defined in EIA standard RS - 426A. (3) Unweighted pink noise input, measured at 1 meter in an anechoic chamber.

A full range of measurements, performance data, and Ease™ Data can be downloaded from www.tannoy.com

Tannoy operates a policy of continuous research and development. The introduction of new materials or manufacturing methods will always equal or exceed the published specifications, which Tannoy reserves the right to alter without prior notice. Please verify the latest specifications when dealing with critical applications.

APPLICATIONS

- Foreground music & paging systems
- High level music and speech reinforcement
- Lounges, bars, boutiques
- Reception / waiting rooms
- Airports, convention centers, hotels
- Business music systems
- Boardrooms & offices
- Cruise ships
- Retail outlets
- Houses of worship

FEATURES

- 6.5" point source Dual Concentric™ driver
- 90° controlled conical dispersion for optimum coverage and forward gain
- Low insertion loss 60 Watt line transformer - for a more powerful and dynamic performance
- Front baffle switch for transformer & low impedance settings
- Optimally tuned enclosure for extended LF response
- Wide, constant directivity dispersion
- High sensitivity
- Magnetic fluid cooling HF
- Quick and easy installation
- Five year loudspeaker warranty

ARCHITECTURAL SPECIFICATIONS

The Ceiling Monitor system shall consist of a 165mm (6.5") full range, point source, constant directivity Dual Concentric™ transducer. The transducer shall be mounted in a vented, injection molded front baffle.

The steel enclosure is tuned for optimum low frequency performance. The CMS60 TDC-60 shall be used in 70 or 100 Volt distributed audio system utilizing the THP 60 high performance transformer with 60, 30, 15, 7.5* Watt taps available. An easily accessible selector switch (CMS60 TDC-60) shall be available for selecting transformer and low impedance settings.

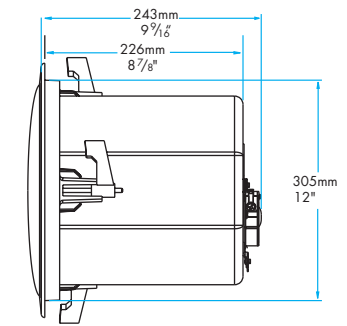
Performance of the ceiling monitor shall meet or exceed the following criteria: The system shall have a conical coverage pattern of 90° at 8kHz and 120° at 2kHz. Frequency response measured on axis shall be 50Hz to 20kHz +/- 3dB. Sensitivity shall be 93dB for 2.83 Volts @ 1 meter.

The system impedance and maximum power handling capability shall be 8Ω and 160 Watts respectively. (CMS60 TDC-8 & low impedance setting on TDC-60). The system shall be designed for use in false ceilings and gyproc-based walls & ceilings utilizing the integral fixing points (additional mounting options available). A weather resistant perforated steel grille covers the transducer and switch.

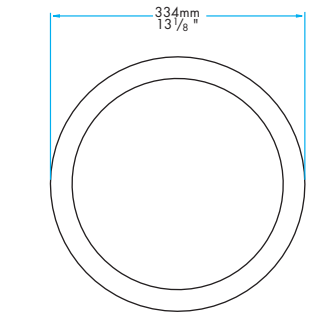
The Ceiling Monitor System shall be the Tannoy...CMS60 TDC.

* 70 Volt Version only

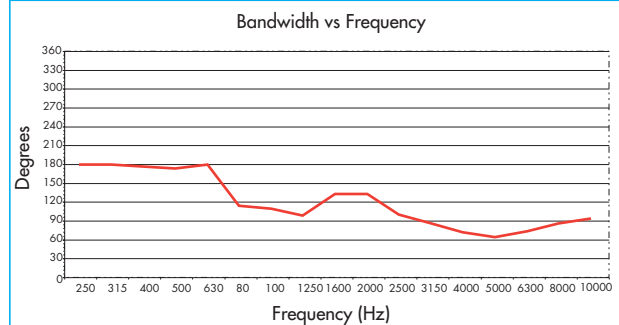
SIDE ELEVATION



FRONT ELEVATION



BEAMWIDTH PLOT



Tannoy United Kingdom | T: +44 (0) 1236 420199 | F: +44 (0) 1236 428230 | E: enquiries@tannoy.com
 Tannoy North America | T: (519) 745 1158 | F: (519) 745 2364 | E: inquiries@tannoyna.com

tannoy.com