

MODEL WITH TRANSFORMER (SEE FIG. 2)

The 70 volt input wires are connected to the transformer as follows:

The **NEGATIVE** lead to the transformer primary "common" tap. The **POSITIVE** lead is connected to the desired wattage tap.

WITHOUT TRANSFORMER

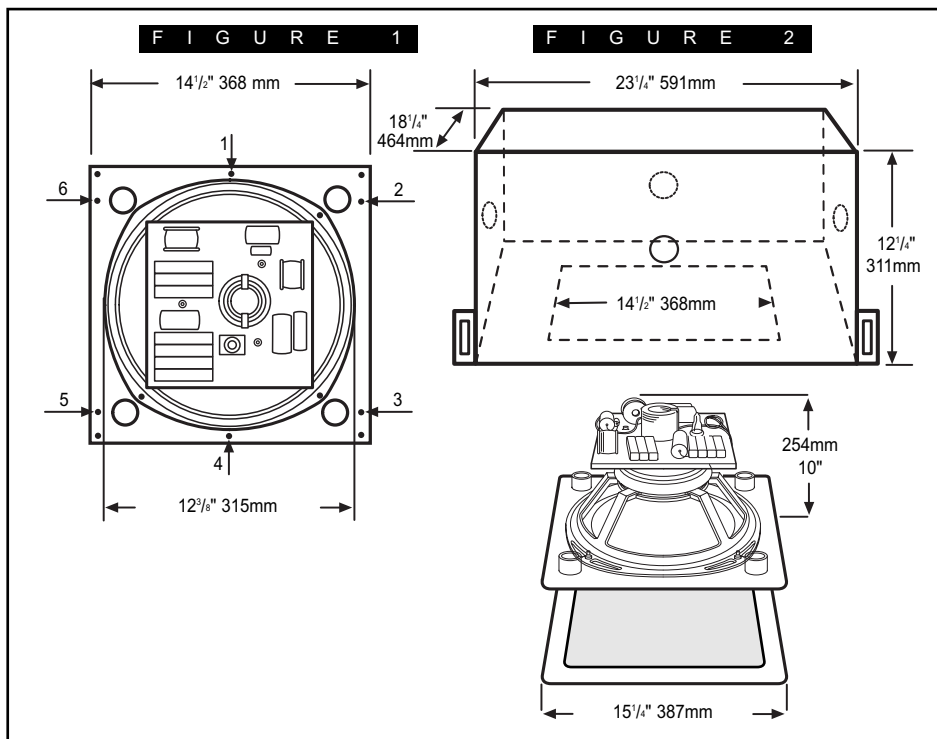
The **POSITIVE INPUT** wire connects to the crossover terminal with the red dot. The **NEGATIVE INPUT** wire connects to the unmarked terminal.

INSTALLING THE SPEAKER/SUB PLATE ASSEMBLY

After connecting the **INPUT WIRES** to the speaker/sub assembly it can then be attached to the enclosure.

Fasten the sub plate to the enclosure by inserting the silver screws in the holes labeled 1, 2, 3, 4, 5 and 6, as shown on Fig. 1.

The four remaining holes are used to fasten the grille to the enclosure. Use the white painted screws provided. Do not over-tighten screws. Removable locktite on these screws is recommended.



TANNOY